

# RF2E-R

## Bridge RF-868 – LAN

- Bridge RF 868 MHz – LAN  
Bidirectional Bridge for MG devices
- Data transfer over TCP/IP or UDP protocols
- 10/100 Mbps Ethernet interface
- Remote configuration with any browser
- Wide input power supply



### Description

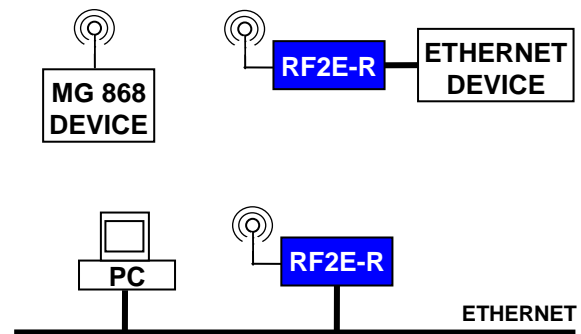
RF2E-R converter allows the connection between ISM 868 MHz band MG devices, and local network devices with TCP/IP or UDP protocols. Data transfer between these networks occurs in a transparent mode.

The type of transmission in 868 MHz band is LBT (Listen Before Talk) with configurable frequency hopping (AFA); this ensures high reliability and noise immunity.

Furthermore it is also possible to connect two or more RF2E-R device to make radio bridge for LAN devices when wired and Wi-Fi network aren't the best choice.

### Supported protocols

- TCP, UDP, IP, ARP, ICMP, DHCP, HTTP.



### LAN network connection

- Auto-sensing 10/100 Mbps over RJ45.

### 868 MHz network connection

- TX Power: 20 dBm typical.
- Channels: 2.
- Frequencies: : 869.40, 869.60 MHz.
- Listen Before Talk (LBT).
- Antenna connector: FEMALE SMA.
- RF Data rate: 50 Kbps.

### Applications

- Connection between ISM 868 MHz band MG devices, and Ethernet devices.
- Radio bridge between Ethernet devices.

### Altre caratteristiche

- Power supply: 9-30 Vdc 2 W with external adapter.
- LED: link, activity, power.
- Operating temperature: -20°C - +60 °C.
- Humidity: 5 - 90 % (not condensing).
- Dimensions: 106x33x52 (LxHxW).
- Aluminum case.
- 1.5 KV insulation on Ethernet.
- CE, RED, RoHS type-approval.
- Provided with right angle antenna.
- Maximum data packet length 256 Byte

Rev. 06/25